

Automotive Qualified TJ 175°C 100V & 120V Trench Schottky Surface Mount Rectifier

Automotive-qualified TJ 175°C 100V & 120V Trench Schottky Surface Mount Rectifier. With its advanced trench cell design and AEC-Q101 qualification, this rectifier offers unparalleled reliability and performance for automotive applications. Trust in Taiwan Semiconductor for innovative solutions that meet the highest industry standards.



Official Website



X

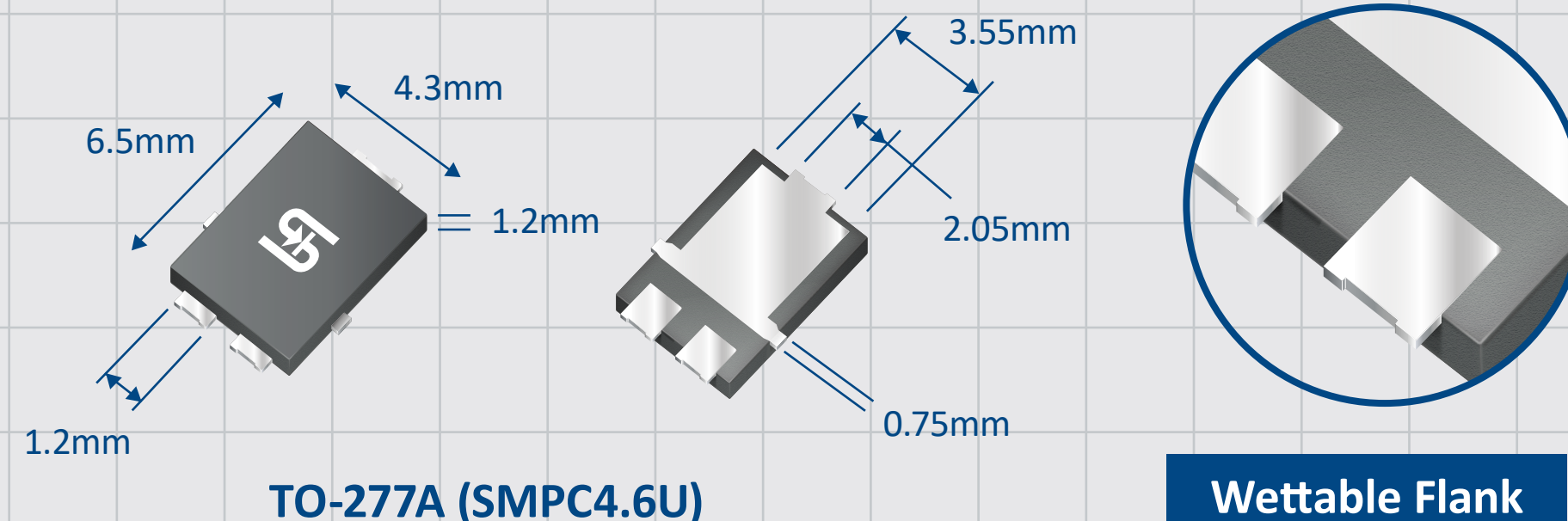


LinkedIn

For more questions: marketing@ts.com.tw

© 2024 TAIWAN SEMICONDUCTOR, CO., LTD. ALL RIGHTS RESERVED.

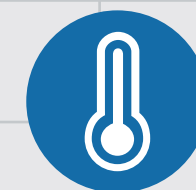
PACKAGE



FEATURES



AUTOMOTIVE
QUALIFIED
AEC-Q101



T_J max, up to
175°C



TRENCH SCHOTTKY
TECHNOLOGY

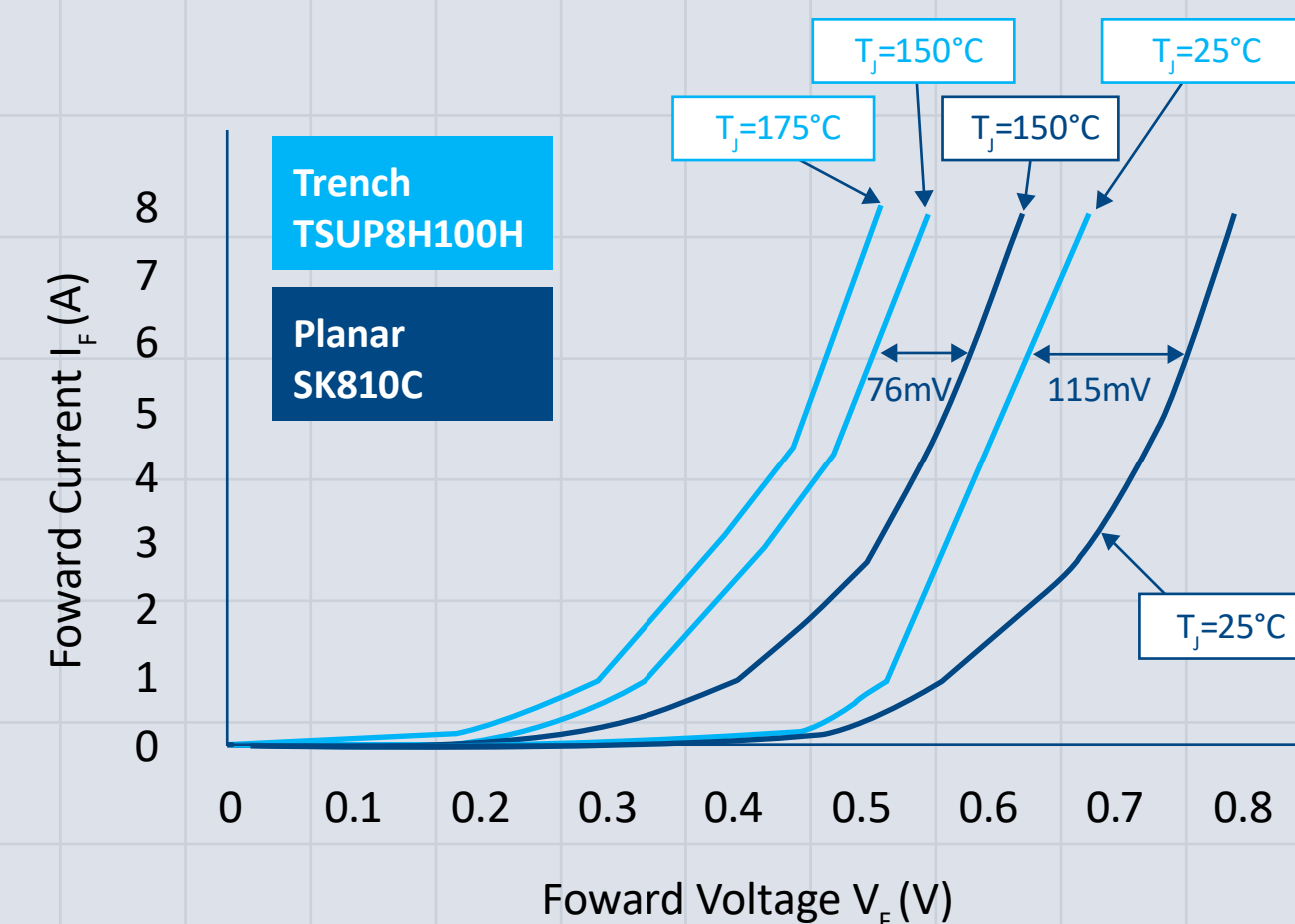


LOW POWER LOSS
HIGH EFFICIENCY

SPECIFICATION

| Part number | V _{RRM} (V) | I _F (A) | V _F | | I _R @T _A =25°C max.(μA) | I _R @T _A =175°C max.(mA) | I _R @8.3ms (A) | Q _c Typ (nC) |
|-------------|-------------------------|-----------------------|----------------|---------|---|--|------------------------------|----------------------------|
| | | | Typ.(V) | Max.(V) | | | | |
| TSUP8H100H | 100 | 8 | 0.71 | 0.75 | 50 | 10 | 240 | 583 |
| TSUP10H100H | | 10 | 0.71 | | | | | 732 |
| TSUP12H100H | | 12 | 0.70 | | | | | 883 |
| TSUP15H100H | | 15 | 0.72 | | | | | 1014 |
| TSUP8H120H | 120 | 8 | 0.73 | 0.76 | 50 | 10 | 240 | 462 |
| TSUP10H120H | | 10 | 0.73 | | | | | 615 |
| TSUP12H120H | | 12 | 0.72 | | | | | 744 |
| TSUP15H120H | | 15 | 0.72 | | | | | 832 |

Trench & Planar Schottky V_F Comparison



APPLICATIONS



DC/DC
CONVERTER



SMPS



AUTOMOTIVE



LIGHTING



**TAIWAN
SEMICONDUCTOR**

www.taiwansemi.com