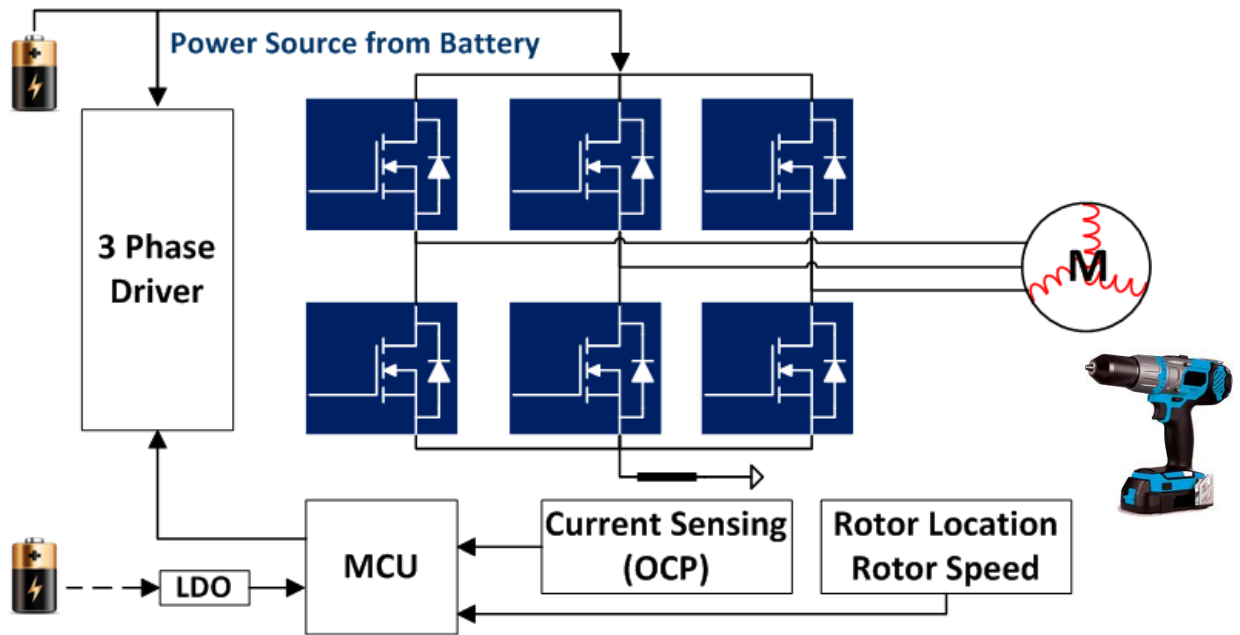




Typical Function Block



TSC MOSFET Specific Characteristics

- ✓ High Surge Current Capability
- ✓ Enhanced Robustness
- ✓ Improved Thermal Performance
- ✓ Logic Level for Design Flexibility
- ✓ UL94V-0 grades to flammability

TSC MOSFET Solution

Part Number	Package	Suited Nominal Battery Voltage	Vds (V)	ID (A)	Rds10V (mΩ) max.	Logic Level	ID(A) continuous current (wire bond limited)
TSM038N03PQ33	PDFN33	7.2V 10.8V 14.4V	30	80	3.8	Y	10.8
TSM060N03PQ33	PDFN33		30	62	6.0	Y	10.8
TSM085N03PQ33	PDFN33		30	48	8.5	Y	10.8
TSM036N03PQ56	PDFN56		30	95	3.6	Y	30.5
TSM055N03PQ56	PDFN56		30	80	5.5	Y	45.0
TSM080N03PQ56	PDFN56		30	55	8.0	Y	45.0
TSM020N04LCR	PDFN56	18.0V	40	170	2.0	Y	57.6
TSM020N04LCZ	TO-220	20.0V	40	208	2.0	Y	180
TSM020N04LCM2	TO-263	21.6V	40	190	2.0	Y	180
TSM021N06CZ	TO-220	24.0V	60	217	2.1	N	180
TSM100N06CZ	TO-220	25.2V	60	100	6.7	N	120
TSM210N06CZ	TO-220	36.0V	60	210	3.1	N	102